

Pressure Gauges / General Purpose Gauges / Pressure Gauges / Ø 160 mm

CONSTRUCTIVE PROPERTIES

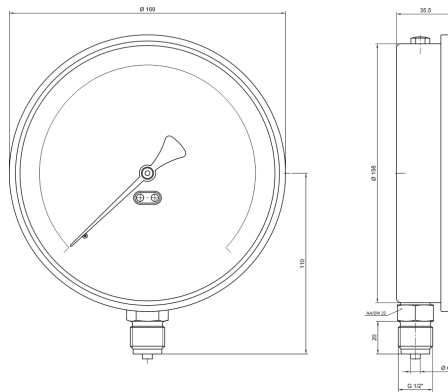
	STANDARD	OPTIONAL
Mounting Type	Bottom Connection	See Technical Drawing
Scale Unit	bar/psi	bar psi mWs kg/cm ² atm
Scale Range (PN)	0/2,5 0/4 0/6 0/10 0/16 0/25 0/40 0/60 0/100 0/160 0/250 0 - 315 0/400 0/600	
Case	Stainless Steel AISI-304	-
Window	Safety Glass	-
Movement	Brass	-
Wetted Parts	Copper Alloy	-
Connection	G 1/2" B	1/2" NPT
Dial	Aluminum	-
Pointer	Aluminum	-
Welding	Soldering	Hard Soldering
Filling Liquid	-	Glycerine



MG160DRS1

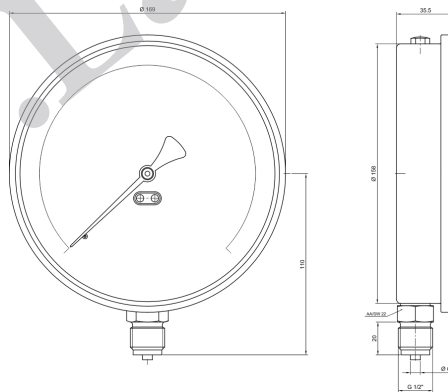
USAGE PROPERTIES

Fluid Temperature	Maximum + 60 °C	Maximum + 120 °C
Ambient Temperature	- 20 ... + 60 °C	-
Operating Pressure (max.)	Must not exceed %75' of full scale.	
Over Pressure Limit	≤40 bar PN x 1.25	>40 bar PN x 1.15
Accuracy Class	CL 1.6	-
Protection Rate	IP 65	-
Optimum Operating Range	Between 0,1 x PN and 0,75 x PN	
Storage Temperature	-40 ... +70 °C	-
Conformity	EN 837 - 1	-
Mechanical Shock Test Load	15g	-
Mechanical Vibration Test	10 Hz ile 150 Hz -1 oktav/dk. 2s / 3 eksende	



Model No: MG160DRS1

Bottom Connection



Model No: MG160GRS1

Bottom Connection